

Valvole Rotalock ODS con presa Destra / Sinistra



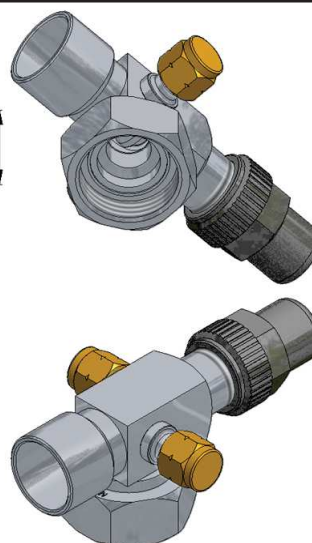
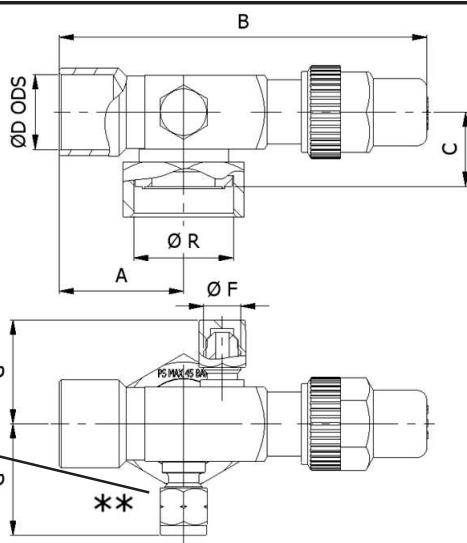
Rotalock Valves ODS with Right / Left gauge

È POSSIBILE FARE RICHIESTE SPECIALI /
SPECIAL REQUEST ARE POSSIBLE

VALVOLE FORNITE SENZA MECCANISMO SCHRADER /
VALVES SUPPLIED WITHOUT MECHANISM SCHRADER

Tappo di tenuta in ottone.

Sealing brass plug



	TIPO/TYPE	ATTACCO ØR CON- NECTION ØR	ØD ODS (mm)	ØD ODS (inches)	ØF FLARE-SAE	A	B	C	G	□
ART.4 PAR.3	R050/FA2/D-S	ROTALOCK 3/4"	6	/	1/4"	30	97	20	31	20
	R050/FA3/D-S	ROTALOCK 3/4"	/	1/4"	1/4"	30	97	20	31	20
	R050/FA4/D-S	ROTALOCK 3/4"	8	5/16"	1/4"	30	97	20	31	20
	R050/FA5/D-S	ROTALOCK 3/4"	/	3/8"	1/4"	30	97	20	31	20
	R050/FA6/D-S	ROTALOCK 3/4"	10	/	1/4"	30	97	20	31	20
	R051/FA5/D-S	ROTALOCK 1 "	/	3/8"	1/4"	30	97	20	31	20
	R051/FA6/D-S	ROTALOCK 1 "	10	/	1/4"	30	97	20	31	20
	R051/FA7/D-S	ROTALOCK 1 "	12	/	1/4"	31	98	20	31	20
	R051/FA8/D-S	ROTALOCK 1 "	/	1/2"	1/4"	31	98	20	31	20
	R051/FB2/D-S	ROTALOCK 1 "	16	5/8"	1/4"	36	108	20	31	20
	R051/FB3/D-S	ROTALOCK 1 "	18	/	1/4"	37	110	20	31	20
	R051/FB4/D-S	ROTALOCK 1 "	/	3/4"	1/4"	37	110	20	31	20
	R051/FS3/D-S	ROTALOCK 1 "	18	/	1/4"	37	110	22	32	22
	R051/FB6/D-S	ROTALOCK 1 "	22	/	1/4"	37	110	22	32	22
	R052/FA7/D-S	ROTALOCK 1-1/4"	12	/	1/4"	32	104	21	31	20
	R052/FS2/D-S	ROTALOCK 1-1/4"	16	5/8"	1/4"	35	104	21	31	20
	R052/FB2/D-S	ROTALOCK 1-1/4"	16	5/8"	1/4"	37	110	22	32	22
	R052/FB3/D-S	ROTALOCK 1-1/4"	18	/	1/4"	37	110	22	32	22
	R052/FB4/D-S	ROTALOCK 1-1/4"	/	3/4"	1/4"	37	110	22	32	22
	R052/FS6/D-S	ROTALOCK 1-1/4"	22	/	1/4"	37	110	22	32	22
R052/FS7/D-S	ROTALOCK 1-1/4"	/	7/8"	1/4"	37	110	22	32	22	
R052/FS3/D-S	ROTALOCK 1-1/4"	18	/	1/4"	44	137	25	35	28	
R052/FB6/D-S	ROTALOCK 1-1/4"	22	/	1/4"	44	137	25	35	28	
R052/FB7/D-S	ROTALOCK 1-1/4"	/	7/8"	1/4"	48	138	25	35	28	
R052/FC1/D-S	ROTALOCK 1-1/4"	28	/	1/4"	48	141	25	35	28	
R052/FC2/D-S	ROTALOCK 1-1/4"	/	1-1/8"	1/4"	48	141	25	35	28	
R053/FB6/D-S	ROTALOCK 1-3/4"	22	/	1/4"	44	137	26	35	28	
R053/FB7/D-S	ROTALOCK 1-3/4"	/	7/8"	1/4"	44	137	26	35	28	
R053/FC1/D-S	ROTALOCK 1-3/4"	28	/	1/4"	59	181	31	38	35	
R053/FC2/D-S	ROTALOCK 1-3/4"	/	1-1/8"	1/4"	59	181	31	38	35	
R053/FC8/D-S	ROTALOCK 1-3/4"	35	1-3/8"	1/4"	59	181	31	38	35	
R053/FD1/D-S	ROTALOCK 1-3/4"	/	1-5/8"	1/4"	63	185	31	38	35	
R053/FD2/D-S	ROTALOCK 1-3/4"	42	/	1/4"	62	184	31	38	35	
R054/FD1/D-S	ROTALOCK 1-3/4"	/	1-5/8"	1/4"	66	189	33	41	40	
R054/FD2/D-S	ROTALOCK 1-3/4"	42	/	1/4"	66	189	33	41	40	
R055/FT8/D-S	ROTALOCK 2-1/4"	35	1-3/8"	1/4"	61	184	36	41	40	
R055/FU1/D-S	ROTALOCK 2-1/4"	/	1-5/8"	1/4"	66	189	36	41	40	
R055/FU2/D-S	ROTALOCK 2-1/4"	42	/	1/4"	66	189	36	41	40	
R055/FC8/D-S	ROTALOCK 2-1/4"	35	1-3/8"	1/4"	85	201	39	46	50	
R055/FD1/D-S	ROTALOCK 2-1/4"	/	1-5/8"	1/4"	85	201	39	46	50	
R055/FD2/D-S	ROTALOCK 2-1/4"	42	/	1/4"	85	201	39	46	50	
R055/FD7/D-S	ROTALOCK 2-1/4"	54	2-1/8"	1/4"	80	209	39	46	50	

**Attacco di carica 1/4"Flare/Sae con filettatura interna per valvola Schrader, non escludibile in retrochiusura.

**Charging connection 1/4"Flare/Sae with internal threaded for valve Schrader, it isn't possible to exclude when back seated

Applicazioni per refrigerazione e aria condizionata / Application for refrigeration and air conditioning

Prodotti secondo - Direttiva PED 2014/68/UE . / Products according to - 2014/68/EU Directive PED.

Trattamento antiossidante di Nichelatura / Anti-oxidatio Nickel treatment.