



Compressor
Voltage Code : TZ

TAJ4461Y-TZ

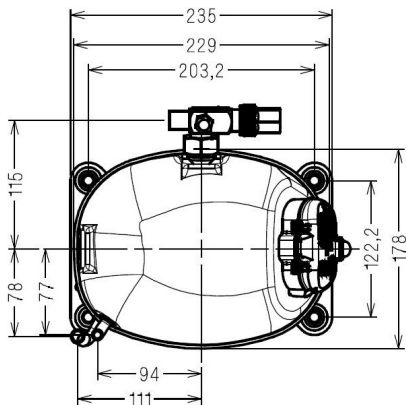
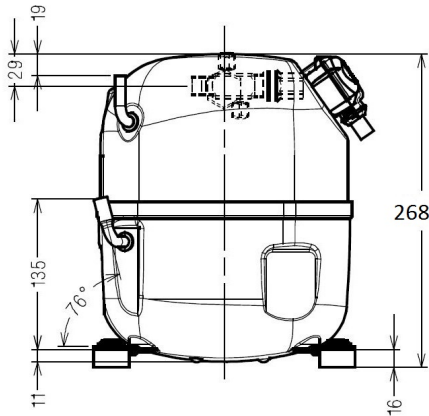
High Temp. Commercial (HP)

400V 3~ 50Hz / 440V 3~ 60 Hz

R134a

AJ4461Y-TZ1C

Conditions	Frequency	Nominal Cooling Capacity		Sound Power ISO3745 / ISO 3743-1
		Watts	BTU/h	
EN12900 / R134a	50 Hz / 60 Hz	1482 / 1740	5054 / 5935	56 dBA



Displacement (cc)	18.3
Net Weight (Kg)	17.8
Oil Quantity (cc)	475.0
Oil Type	Polyolester
Expansion Device	Capillary_Tube/Expansion_Valve
Cooling	Fan
Main Winding (Ohm)	21.0
Current	
RLA (A)	1.3 1.2
MCC (A)	2.3 2.5
LRA (A)	9.4 9.8
Electrical Equipment	TRI
Overload	Interne
Refrigerating connection for OD	
Suction Tube	12.7 (1/2")
Discharge Tube	6.35 (1/4")
Process Tube	6.35 (1/4")

* EN12900 : T°Cond. 50.0°C / T°Evap. 5.0°C / T°Return gas temp.. 20.0°C
T°Subcooling. 0.0K

Certificates :



Note : Tecumseh reserves the right to change information contained in this document without notification.



Tecumseh

TAJ4461Y-TZ	Tension TZ : 400V 3~ 50Hz / 440V 3~ 60 Hz
--------------------	--------------------------------------------------

Les performances sont données dans les **conditions EN12900** :
 Condition Dew
 The performance data are in **EN12900 conditions** :
 Dew Condition

Gaz aspirés : 20.0 °C
 Sous refroidissement : 0.0 K
 Return gas : 20.0 °C
 Subcooling : 0.0 K

50 Hz R134a											
N°214EU-TZ											
4 T condensation	5 T évaporation	(°C)	-25	-20	-15	-10	-5	0	5	10	15
30	1 P frigorifique	(Watt)	436	590	779	1010	1290	1627	2026	2496	3043
	2 P absorbée	(W)	282	320	355	388	419	449	479	508	538
	3 I absorbée	(A)	1.07	1.08	1.10	1.12	1.14	1.16	1.18	1.20	1.21
40	1 P frigorifique	(Watt)		494	663	866	1112	1406	1755	2168	2650
	2 P absorbée	(W)		332	377	420	460	499	538	575	612
	3 I absorbée	(A)		1.06	1.10	1.13	1.17	1.20	1.24	1.27	1.31
50	1 P frigorifique	(Watt)			543	719	930	1182	1482	1838	2255
	2 P absorbée	(W)			389	443	495	544	593	640	687
	3 I absorbée	(A)			1.10	1.15	1.20	1.25	1.30	1.35	1.40
60	1 P frigorifique	(Watt)				571	748	958	1210	1509	1863
	2 P absorbée	(W)				455	520	582	642	700	758
	3 I absorbée	(A)				1.16	1.23	1.30	1.36	1.43	1.50

60 Hz R134a											
N°214EU-TZ											
4 T condensation	5 T évaporation	(°C)	-25	-20	-15	-10	-5	0	5	10	15
30	1 P frigorifique	(Watt)	508	709	944	1221	1544	1919	2354	2854	3424
	2 P absorbée	(W)	333	387	433	475	515	556	602	655	717
	3 I absorbée	(A)	0.98	1.01	1.04	1.08	1.11	1.15	1.19	1.24	1.29
40	1 P frigorifique	(Watt)		557	776	1030	1323	1663	2055	2506	3021
	2 P absorbée	(W)		387	453	512	565	616	667	722	783
	3 I absorbée	(A)		1.00	1.05	1.11	1.16	1.22	1.28	1.35	1.41
50	1 P frigorifique	(Watt)			598	827	1089	1392	1740	2141	2600
	2 P absorbée	(W)			445	527	600	668	732	797	864
	3 I absorbée	(A)			1.05	1.12	1.19	1.27	1.35	1.43	1.52
60	1 P frigorifique	(Watt)				619	850	1114	1417	1766	2167
	2 P absorbée	(W)				508	609	701	786	867	947
	3 I absorbée	(A)				1.10	1.20	1.29	1.39	1.50	1.60

1 = cooling capacity 2 = power input 3 = current 4 = condensing temperature 5 = evaporating temperature

Nota : Tecumseh se réserve le droit de modifier les informations contenues dans ce document sans préavis.

Note : Tecumseh reserves the right to change information contained in this document without notification.

© 2019 Tecumseh Products Company
All rights reserved