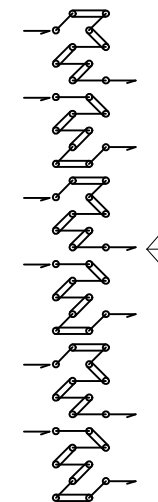
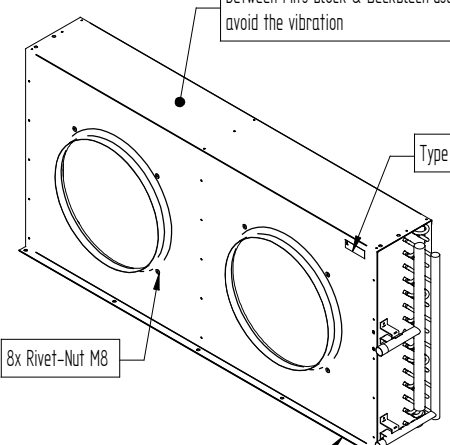


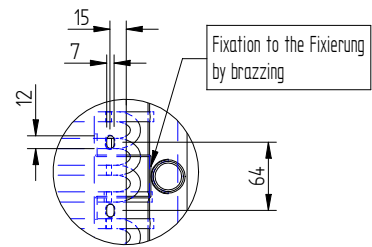
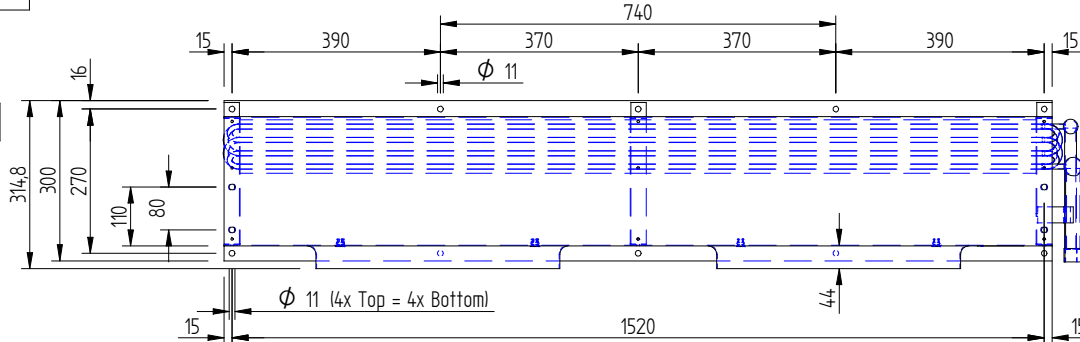
Tubes Arrangement;  
6 x 10 passes  
Stutzen preparation 15 mm



Between Fin's block & Deckblech use Insulation to avoid the vibration



Fixation all of the frame by Blind Rivet  
Alternative by welding  
Keep even surface on the the bottom area



DETAIL A

ITEM CODE	UNITS NAME	PAINTING	Pressure test	35 bar
704EM-AX0000016C	BRC 12.1(E)	Wet Paint RAL 5000	Delivered unit	Without air pressure, use plastic cap/rubber cap
704EM-AX0000017C	BRC 12.2(E)	Wet Paint RAL 9005	Type Shield	Version A (Normal size)
704EM-AX0000018C	BRC 12.3(E)	Wet Paint RAL 6033	Painting	acc. to table
704EM-AX0000019C	BRC 12.4(E)	Wet Paint RAL 7035	Refrigerant	R22
704EM-AX0000020C	BRC 12.5(E)	Powder Coating - Green	Packing type	PaLlet (P)
			General Tolerance	DIN ISO 2768-v, DIN EN ISO 13920-D

TECHNICAL DATA										
Coil Type	E/4/15/2.40/1490/AXS/2			Fin's material	Alu, t 0.15 mm					
Tubes	Cu, Ripple X, 3/8" x 0.28 mm			Stirnblech	Galv. steel, t 1.25 mm					
Tube Pitch	50 x 25 mm			Ventilatoreblech	Galv. steel, t 1.25 mm					
Finspacing	2.4 mm			Bodenblech	Galv. steel, t 2.0 mm					
Circuits	No of Lines	No of Passes	Header Inlet		Header outlet		Vol of tubes (liter)	exch surface (m <sup>2</sup> )	weight Empty (kg)	weight Operation (kg)
			φ (mm)	Tube In φ (mm)	φ (mm)	Tube out φ (mm)				
A	6	10	35x15	I.D. 28.3	28x15	I.D. 22.3	7.4	89.9	ca. 43.2	-

POS	CHANGES	DATE	NAME	SCALE	CUSTOMER :
		4/27/2011	PRI		-
		4/27/2011	PR		
DESCRIPTION :				CONDENSER; BRC 12 (E)	
				BAT E/4/15/2.40/1490/AXS/2	
DRAWING NO :				7-3-060-04487.dft	
REVISION :				Page: 1/1	
				ORDER NO :	

**basetec**  
products + solutions  
basetec products & solutions GmbH  
Dornier straÙe 4, 82178 Puchheim

**FOR APPROVAL**