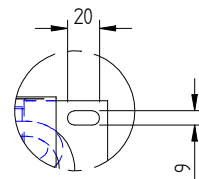
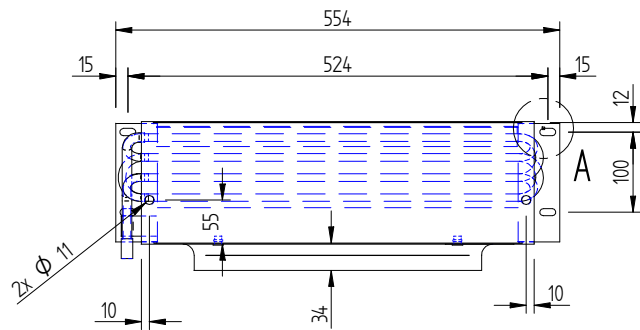
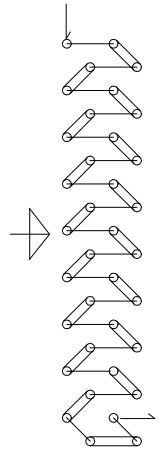
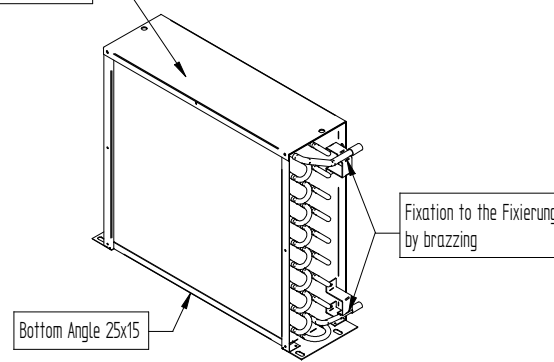


Tubes Arrangement :
1 x 36 passes
Stutzen prep. 15 mm



DETAIL A

Between Fin's block & Deckblech use
Insulation to avoid the vibration



Fixation all of the frame by Toc Alternative by welding
Keep even surface on the Top and the bottom area

ITEM CODE	UNIT'S NAME	PAINTING
704EK-AX0000014C	BRC 4.1(E)	Wet Paint RAL 5000
704EK-AX0000015C	BRC 4.2(E)	Wet Paint RAL 9005
704EK-AX0000016C	BRC 4.3(E)	Wet Paint RAL 6033
704EK-AX0000017C	BRC 4.4(E)	Wet Paint RAL 7035
704EK-AX0000018C	BRC 4.5(E)	Powder Coating - Green

Pressure test	35 bar
Delivered unit	Without air pressure, use plastic cap/rubber cap
Type Shield	Version A (Normal size)
Painting	acc. to the table
Refrigerant	R22
Packing type	Pallet ; 12 or 24 pcs
General Tolerance	General tol. DIN ISO 2768-VL

TECHNICAL DATA							
Coil Type	E/4/9/2.40/450/AXS/2			Fin's material	Alu, t 0.15 mm		
Tubes	Cu, Ripple X, 3/8" x 0.28 mm			Stirnblech	Galv. steel,t 1.25 mm		
Tube Pitch	50 x 25 mm			Ventilatoreblech	Galv. steel,t 1.25 mm		
Finspacing	2.4 mm						

Circuits	No of Lines	No of Passes	Header Inlet		Header outlet		Vol of tubes (liter)	exch. surface (m ²)	weight Empty (kg)	weight Operation (kg)
			φ (mm)	Tube In φ (mm)	φ (mm)	Tube out φ (mm)				
A	1	36	12x1.0	I.D. 12,3	9.5x1,0	I.D. 10,3	1.6	16.3	ca. 12.2	ca.

SCALE:			
POS:	CUSTOMER :		
QUANTITY:			
DESCRIPTION :	Basetec Rack Condensers ; BRC 4(E) BAT E/4/9/2.40/450/AXS/2		
POS	CHANGES	DATE NAME	
basetec		DATE	NAME
basetec products & solutions GmbH		4/19/2011	PRI
Dornier straÙe 4, 82178 Puchheim		4/19/2011	PR
DRAWN		DATE	NAME
REVIEW		4/19/2011	PRI
DRAWING NO :		7-3-060-04478.dft	
REVISION:		0	
/priyadi/4/19/2011		ORDER NO :	

FOR APPROVAL