

FE2owlet

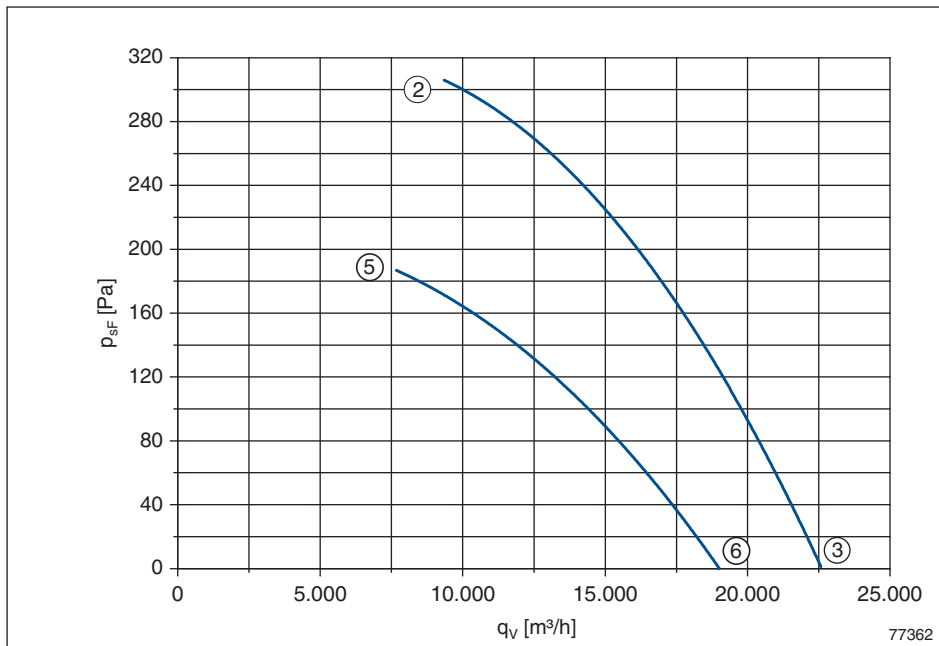
FN071-VD_6N_7P2

Leistungsdaten Performance data

3~ 400V ±10% Δ/Y 50Hz

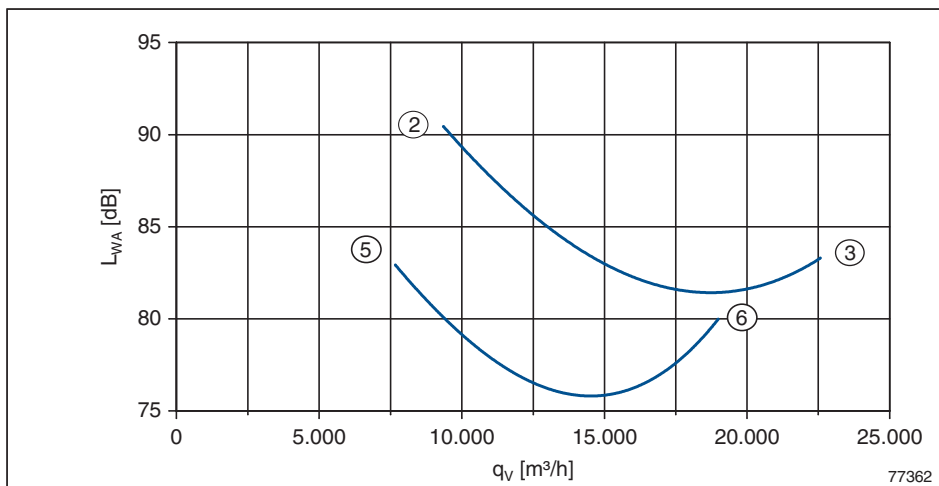
| | | |
|------------|-----------|-------------------|
| P_1 | 2,6/1,75 | kW |
| I | 4,9/2,9 | A |
| n | 1330/1040 | min ⁻¹ |
| I_A | 21/7 | A |
| Δt | 5 | % |
| t_R | 60 | °C |

Kennliniendaten Characteristic data



| | U V | I A | P ₁ W | n min ⁻¹ |
|---|--------|--------|---------------------|------------------------|
| ② | 400 | 4,9 | 2620 | 1330 |
| ③ | Δ | 3,9 | 1900 | 1390 |
| ⑤ | 400 | 2,9 | 1740 | 1040 |
| ⑥ | Y | 2,3 | 1400 | 1170 |

$$p_{d2} = 2,9 \cdot 10^{-7} \cdot q_v^2$$



gemessen in Volldüse ohne Berührschutz in Einbauart A nach ISO 5801
measured in full bell mouth without guard grille in installation type A according to ISO 5801

Maßblatt / Dimension sheet

| Typ Type | Artikel-Nr. Article no. | Bauform Design | Luftförderrichtung Airflow direction | Gewicht Weight | Anschlussschaltbild Connection diagram | Maßblatt Dimension sheet | Seite Page |
|---------------------------------|----------------------------|-------------------|---|-------------------|---|-----------------------------|---------------|
| FN071-VDA.6N.A7P2 | 141 759 | A | A | 23 kg | 108XB | L-KL-2751 | 76 |
| FN071-VDD.6N.A7P2 | 141 760 | D | A | 26 kg | 108XB | L-KL-2752 | 77 |
| FN071-VDQ.6N.A7P2 | 141 761 | Q | A | 37 kg | 108XB | L-KL-2753 | 78 |
| FN071-VDA.6N.V7P2 | 141 767 | A | V | 23 kg | 108XA | L-KL-2754 | 79 |
| FN071-VDK.6N.V7P2 ¹⁾ | 141 772 | K | V | - | 108XA | - | - |
| FN071-VDQ.6N.V7P2 | 141 777 | Q | V | 40 kg | 108XA | L-KL-2756 | 82 |
| FN071-VDS.6N.V7P2 | 141 782 | S | V | 29 kg | 108XA | L-KL-2755 | 81 |
| FN071-VDF.6N.V7P2 | 141 787 | F | V | 38 kg | 108XA | L-KL-2750 | 83 |

¹⁾ auf Anfrage / on request

FE2owlet

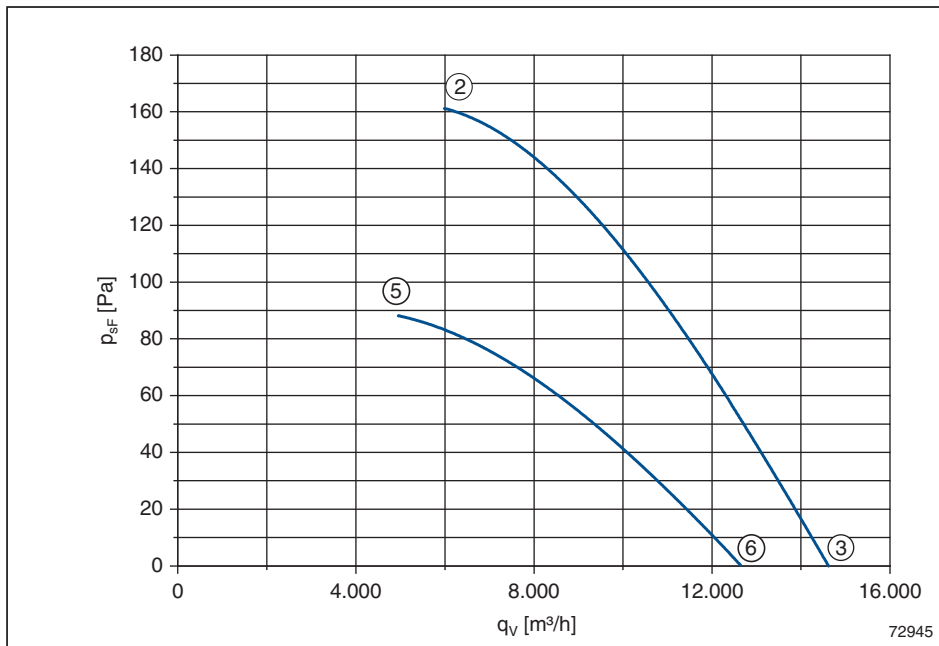
FN071-SD_.6F_.7P1

Leistungsdaten Performance data

3~ 400V ±10% Δ/Y 50Hz

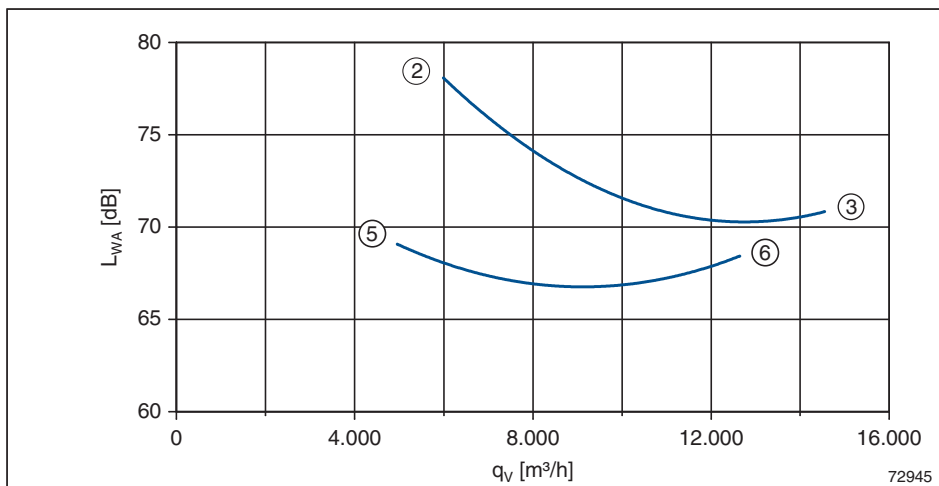
| | | |
|------------|-----------|-------------------|
| P_1 | 0,94/0,64 | kW |
| I | 1,75/1,10 | A |
| n | 900/670 | min ⁻¹ |
| I_A | 5,8/2 | A |
| ΔI | 10 | % |
| t_R | 70 | °C |

Kennliniendaten Characteristic data



| | U V | I A | P ₁ W | n min ⁻¹ |
|---|--------|--------|---------------------|------------------------|
| ② | 400 | 1,75 | 940 | 900 |
| ③ | Δ | 1,25 | 560 | 940 |
| ⑤ | 400 | 1,10 | 640 | 670 |
| ⑥ | Y | 0,77 | 450 | 820 |

$$p_{d2} = 2,9 \cdot 10^{-7} \cdot q_v^2$$



gemessen in Volldüse ohne Berührschutz in Einbauart A nach ISO 5801
measured in full bell mouth without guard grille in installation type A according to ISO 5801

Maßblatt / Dimension sheet

| Typ Type | Artikel-Nr. Article no. | Bauform Design | Luftförderrichtung Airflow direction | Gewicht Weight | Anschlussschaltbild Connection diagram | Maßblatt Dimension sheet | Seite Page |
|-------------------|----------------------------|-------------------|---|-------------------|---|-----------------------------|---------------|
| FN071-SDA.6F.A7P1 | 141 747 | A | A | 17 kg | 108XB | L-KL-2751 | 76 |
| FN071-SDD.6F.A7P1 | 141 748 | D | A | 21 kg | 108XB | L-KL-2752 | 77 |
| FN071-SDQ.6F.A7P1 | 141 749 | Q | A | 32 kg | 108XB | L-KL-2753 | 78 |
| FN071-SDA.6F.V7P1 | 141 768 | A | V | 17 kg | 108XA | L-KL-2754 | 79 |
| FN071-SDK.6F.V7P1 | 141 773 | K | V | 26 kg | 108XA | L-KL-2749 | 80 |
| FN071-SDQ.6F.V7P1 | 141 778 | Q | V | 34 kg | 108XA | L-KL-2756 | 82 |
| FN071-SDS.6F.V7P1 | 141 783 | S | V | 23 kg | 108XA | L-KL-2755 | 81 |
| FN071-SDF.6F.V7P1 | 141 788 | F | V | 33 kg | 108XA | L-KL-2750 | 83 |

FE2owlet

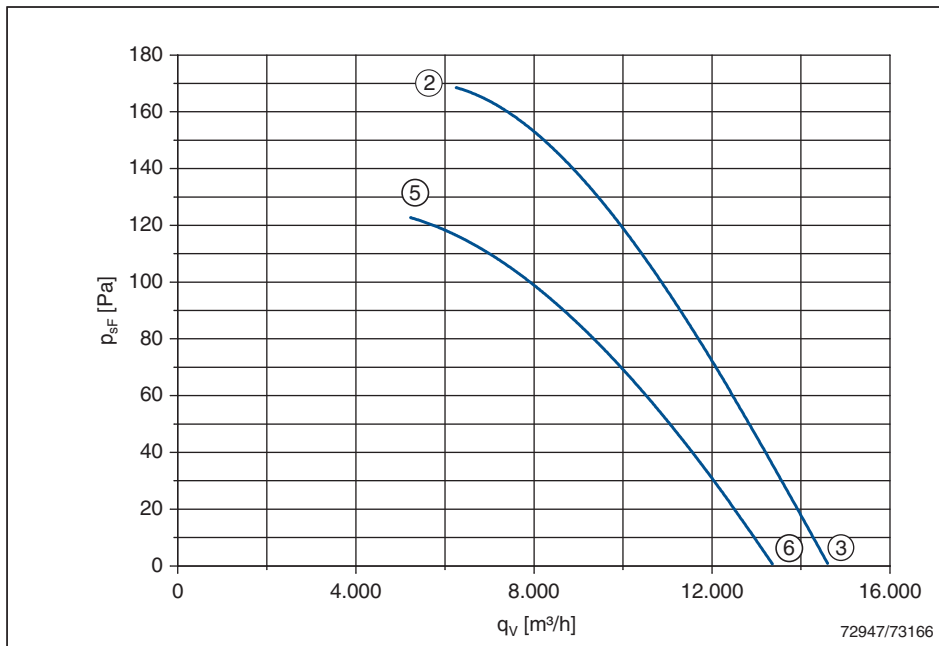
FN071-SD_.6K._7P1

Leistungsdaten Performance data

3~ 400V ±10% Δ/Y 50Hz

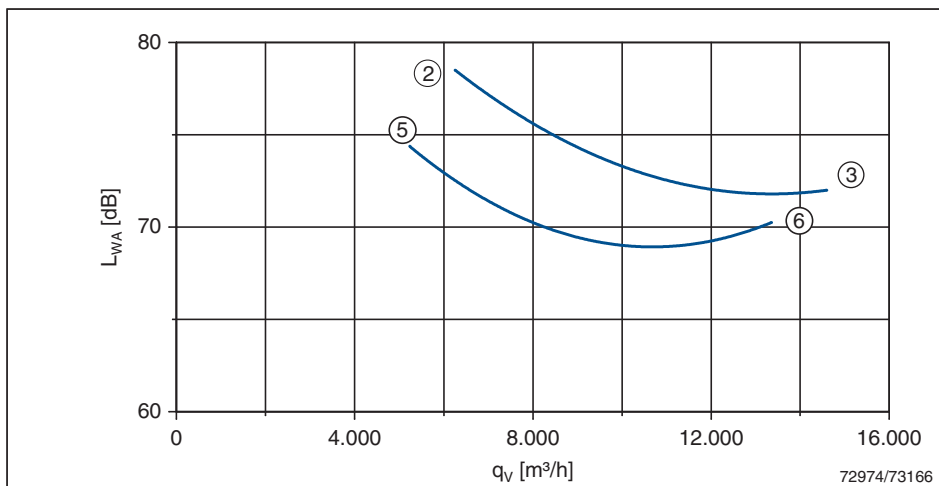
| | | |
|------------|----------|-------------------|
| P_1 | 1,0/0,71 | kW |
| I | 2,5/1,25 | A |
| n | 910/780 | min ⁻¹ |
| I_A | 9,0/3,0 | A |
| Δt | 0 | % |
| t_R | 70 | °C |

Kennliniendaten Characteristic data



| | U V | I A | P ₁ W | n min ⁻¹ |
|---|--------|--------|---------------------|------------------------|
| ② | 400 | 2,50 | 1000 | 910 |
| ③ | Δ | 2,20 | 630 | 950 |
| ⑤ | 400 | 1,25 | 710 | 780 |
| ⑥ | Y | 0,92 | 470 | 870 |

$$p_{d2} = 2,9 \cdot 10^{-7} \cdot q_v^2$$



gemessen in Voldüse ohne
Berührschutz in Einbauart A
nach ISO 5801
measured in full bell mouth without
guard grille in installation type A
according to ISO 5801

Maßblatt / Dimension sheet

| Typ Type | Artikel-Nr. Article no. | Bauform Design | Luftförderrichtung Airflow direction | Gewicht Weight | Anschlussschaltbild Connection diagram | Maßblatt Dimension sheet | Seite Page |
|-------------------|----------------------------|-------------------|---|-------------------|---|-----------------------------|---------------|
| FN071-SDA.6K.A7P1 | 141 750 | A | A | 21 kg | 108XB | L-KL-2751 | 76 |
| FN071-SDD.6K.A7P1 | 141 751 | D | A | 24 kg | 108XB | L-KL-2752 | 77 |
| FN071-SDQ.6K.A7P1 | 141 752 | Q | A | 35 kg | 108XB | L-KL-2753 | 78 |
| FN071-SDA.6K.V7P1 | 141 769 | A | V | 21 kg | 108XA | L-KL-2754 | 79 |
| FN071-SDK.6K.V7P1 | 141 774 | K | V | 30 kg | 108XA | L-KL-2749 | 80 |
| FN071-SDQ.6K.V7P1 | 141 779 | Q | V | 38 kg | 108XA | L-KL-2756 | 82 |
| FN071-SDS.6K.V7P1 | 141 784 | S | V | 27 kg | 108XA | L-KL-2755 | 81 |
| FN071-SDF.6K.V7P1 | 141 789 | F | V | 37 kg | 108XA | L-KL-2750 | 83 |

FE2owlet

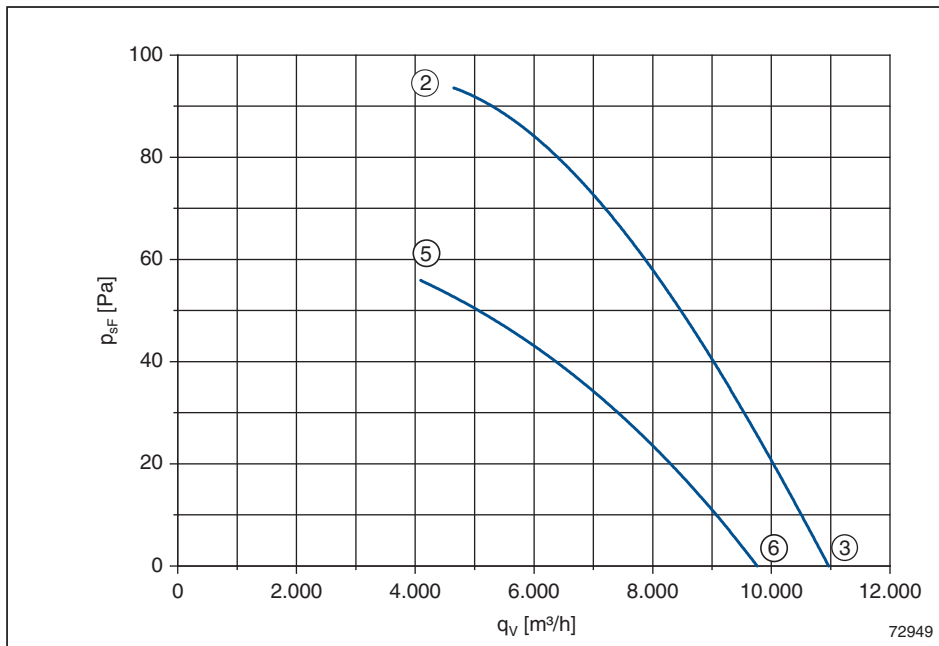
FN071-AD_.6F._7P1

Leistungsdaten Performance data

3~ 400V ±10% Δ/Y 50Hz

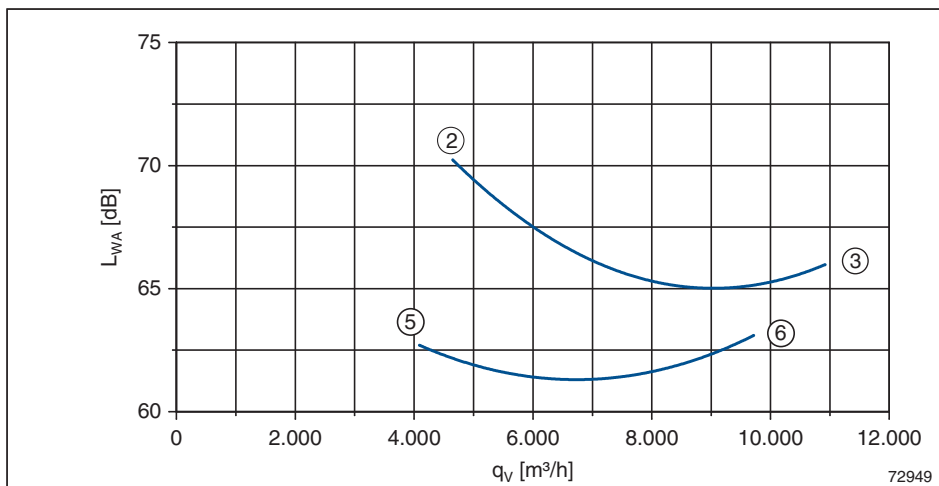
| | | |
|----------|-----------|-------------------|
| P_1 | 0,47/0,31 | kW |
| I | 1,10/0,61 | A |
| n | 680/530 | min ⁻¹ |
| I_A | 3,2/1,1 | A |
| Δ | 0 | % |
| t_R | 70 | °C |

Kennliniendaten Characteristic data



| | U V | I A | P ₁ W | n min ⁻¹ |
|---|--------|--------|---------------------|------------------------|
| ② | 400 | 1,10 | 470 | 680 |
| ③ | Δ | 0,96 | 300 | 710 |
| ⑤ | 400 | 0,61 | 310 | 530 |
| ⑥ | Y | 0,43 | 210 | 640 |

$$p_{d2} = 2,9 \cdot 10^{-7} \cdot q_v^2$$



gemessen in Voldüse ohne Berührschutz in Einbauart A nach ISO 5801
measured in full bell mouth without guard grille in installation type A according to ISO 5801

Maßblatt / Dimension sheet

| Typ Type | Artikel-Nr. Article no. | Bauform Design | Luftförderrichtung Airflow direction | Gewicht Weight | Anschlusschaltbild Connection diagram | Maßblatt Dimension sheet | Seite Page |
|-------------------|----------------------------|-------------------|---|-------------------|--|-----------------------------|---------------|
| FN071-ADA.6F.A7P1 | 141 753 | A | A | 17 kg | 108XB | L-KL-2751 | 76 |
| FN071-ADD.6F.A7P1 | 141 754 | D | A | 21 kg | 108XB | L-KL-2752 | 77 |
| FN071-ADQ.6F.A7P1 | 141 755 | Q | A | 32 kg | 108XB | L-KL-2753 | 78 |
| FN071-ADA.6F.V7P1 | 141 770 | A | V | 17 kg | 108XA | L-KL-2754 | 79 |
| FN071-ADK.6F.V7P1 | 141 775 | K | V | 26 kg | 108XA | L-KL-2749 | 80 |
| FN071-ADQ.6F.V7P1 | 141 780 | Q | V | 34 kg | 108XA | L-KL-2756 | 82 |
| FN071-ADS.6F.V7P1 | 141 785 | S | V | 23 kg | 108XA | L-KL-2755 | 81 |
| FN071-ADF.6F.V7P1 | 141 790 | F | V | 33 kg | 108XA | L-KL-2750 | 83 |

FE2owlet

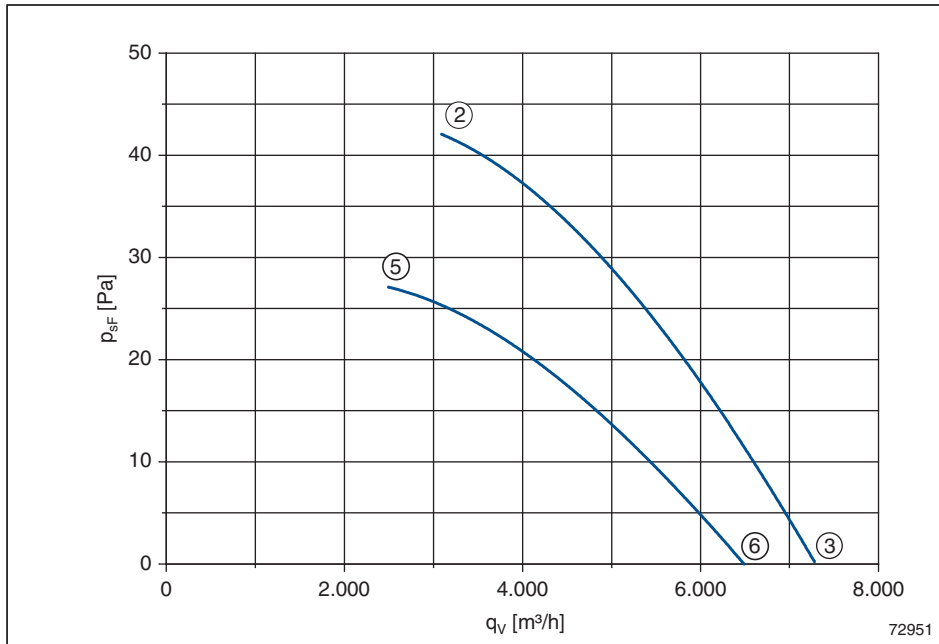
FN071-ND_.6F_.7P1

Leistungsdaten Performance data

3~ 400V ±10% Δ/Y 50Hz

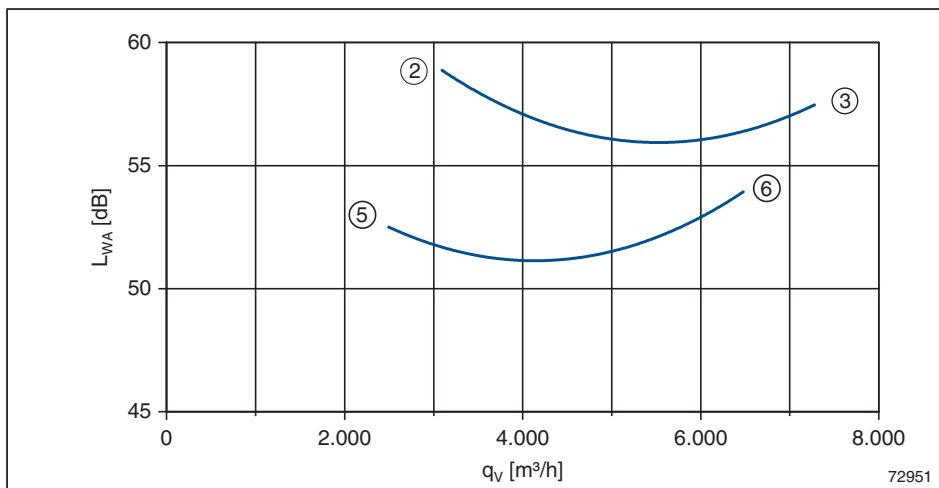
| | | |
|------------|-----------|-------------------|
| P_1 | 0,18/0,1 | kW |
| I | 0,53/0,24 | A |
| n | 450/360 | min ⁻¹ |
| I_A | 1,0/0,33 | A |
| Δt | 0 | % |
| t_R | 70 | °C |

Kennliniendaten Characteristic data



| | U V | I A | P ₁ W | n min ⁻¹ |
|---|--------|--------|---------------------|------------------------|
| ② | 400 | 0,53 | 175 | 450 |
| ③ | Δ | 0,51 | 125 | 470 |
| ⑤ | 400 | 0,24 | 105 | 360 |
| ⑥ | Y | 0,19 | 76 | 420 |

$$p_{d2} = 2,9 \cdot 10^{-7} \cdot q_v^2$$



gemessen in Voldüse ohne Berührschutz in Einbauart A nach ISO 5801
measured in full bell mouth without guard grille in installation type A according to ISO 5801

Maßblatt / Dimension sheet

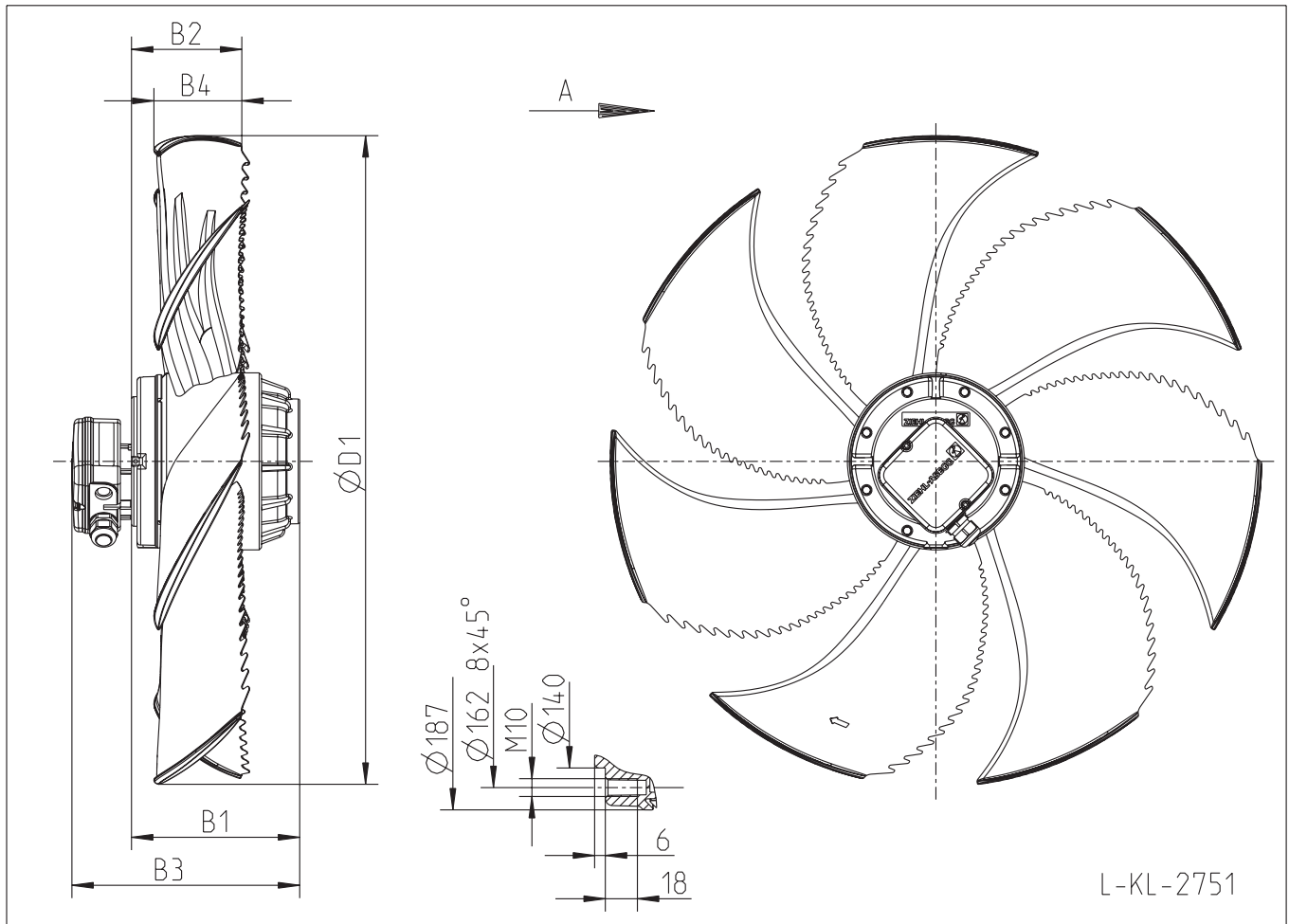
| Typ Type | Artikel-Nr. Article no. | Bauform Design | Luftförderrichtung Airflow direction | Gewicht Weight | Anschlussschaltbild Connection diagram | Maßblatt Dimension sheet | Seite Page |
|-------------------|----------------------------|-------------------|---|-------------------|---|-----------------------------|---------------|
| FN071-NDA.6F.A7P1 | 141 756 | A | A | 17 kg | 108XB | L-KL-2751 | 76 |
| FN071-NDD.6F.A7P1 | 141 757 | D | A | 21 kg | 108XB | L-KL-2752 | 77 |
| FN071-NDQ.6F.A7P1 | 141 758 | Q | A | 32 kg | 108XB | L-KL-2753 | 78 |
| FN071-NDA.6F.V7P1 | 141 771 | A | V | 17 kg | 108XA | L-KL-2754 | 79 |
| FN071-NDK.6F.V7P1 | 141 776 | K | V | 26 kg | 108XA | L-KL-2749 | 80 |
| FN071-NDQ.6F.V7P1 | 141 781 | Q | V | 34 kg | 108XA | L-KL-2756 | 82 |
| FN071-NDS.6F.V7P1 | 141 786 | S | V | 23 kg | 108XA | L-KL-2755 | 81 |
| FN071-NDF.6F.V7P1 | 141 791 | F | V | 33 kg | 108XA | L-KL-2750 | 83 |

FE2owlet

FN071- DA.6 A7P

| | |
|---|-------------------------------|
| Luffförrichtung <i>Airflow direction</i> | A |
| Bauform <i>Design</i> | A |
| Flügelmaterial <i>Material of impeller</i> | Aluminium <i>Aluminium</i> |

**FN
071**



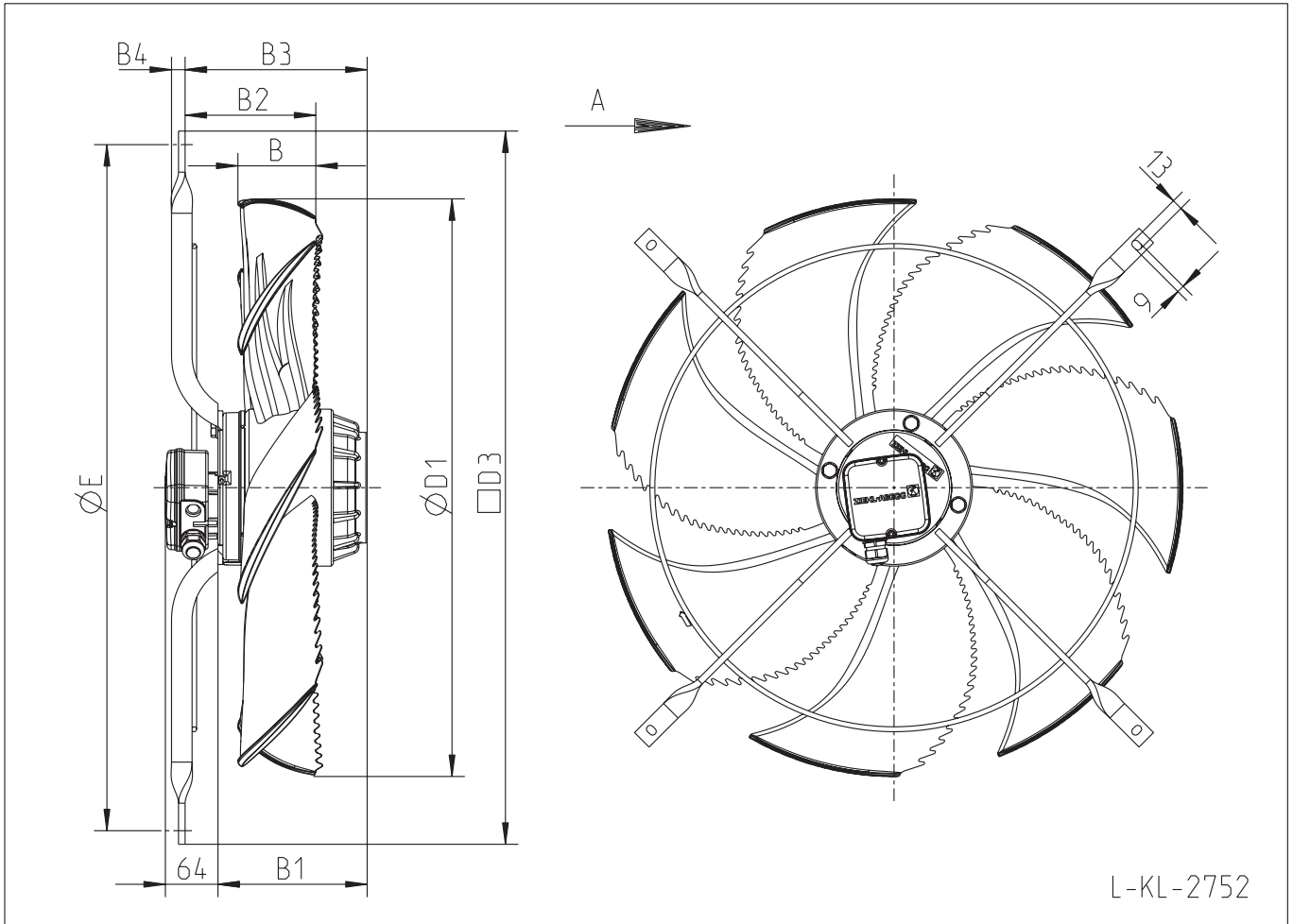
L-KL-2751

| Typ Type | Artikel-Nr. Article no. | B1 | B2 | B3 | B4 | D1 |
|-------------------|----------------------------|-----|-----|-----|----|-----|
| FN071-VDA.6N.A7P2 | 141 759 | 208 | 120 | 272 | 69 | 703 |
| FN071-SDA.6F.A7P1 | 141 747 | 162 | 119 | 226 | 95 | 703 |
| FN071-SDA.6K.A7P1 | 141 750 | 182 | 119 | 246 | 95 | 703 |
| FN071-ADA.6F.A7P1 | 141 753 | 162 | 119 | 226 | 95 | 703 |
| FN071-NDA.6F.A7P1 | 141 756 | 162 | 119 | 226 | 95 | 703 |

FE2owlet

FN071- DD.6 .A7P

| | |
|---|-------------------------------|
| Luffförrichtung <i>Airflow direction</i> | A |
| Bauform <i>Design</i> | D |
| Flügelmaterial <i>Material of impeller</i> | Aluminium <i>Aluminium</i> |



**FN
071**

L-KL-2752

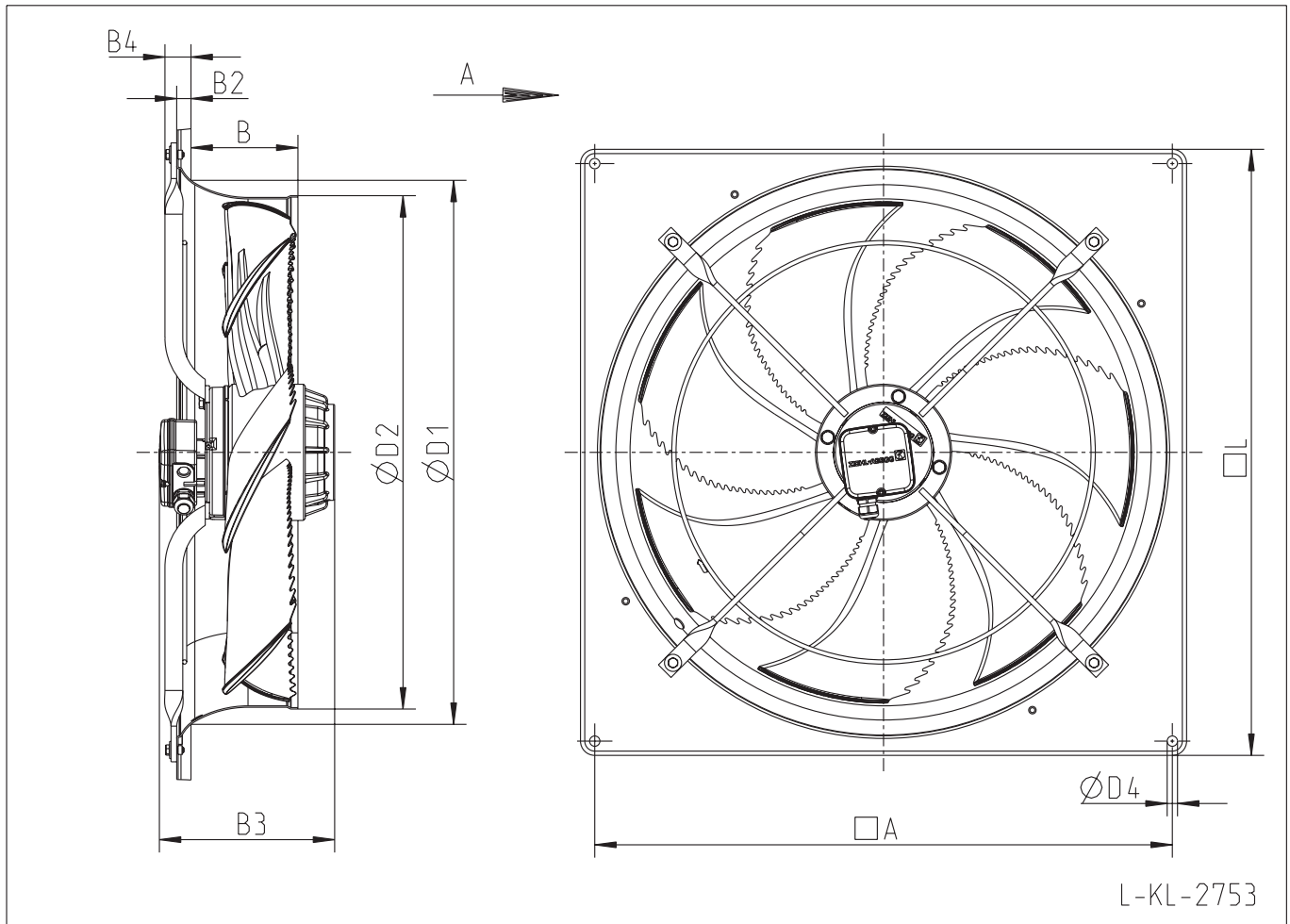
| Typ Type | Artikel-Nr. Article no. | B | B1 | B2 | B3 | B4 | D1 | D3 | E |
|--------------------------|----------------------------|----|-----|-----|-----|------|-----|-----|-----|
| FN071-VDD.6N.A7P2 | 141 760 | 69 | 208 | 159 | 248 | 16,5 | 703 | 868 | 835 |
| FN071-SDD.6F.A7P1 | 141 748 | 95 | 162 | 159 | 201 | 16,5 | 703 | 868 | 835 |
| FN071-SDD.6K.A7P1 | 141 751 | 95 | 182 | 159 | 222 | 16,5 | 703 | 868 | 835 |
| FN071-ADD.6F.A7P1 | 141 754 | 95 | 162 | 159 | 201 | 16,5 | 703 | 868 | 835 |
| FN071-NDD.6F.A7P1 | 141 757 | 95 | 162 | 159 | 201 | 16,5 | 703 | 868 | 835 |

FE2owlet

FN071- _DQ.6_.A7P_

| | |
|---|-------------------------------|
| Luffföderung <i>Airflow direction</i> | A |
| Bauform <i>Design</i> | Q |
| Flügelmaterial <i>Material of impeller</i> | Aluminium <i>Aluminium</i> |

**FN
071**



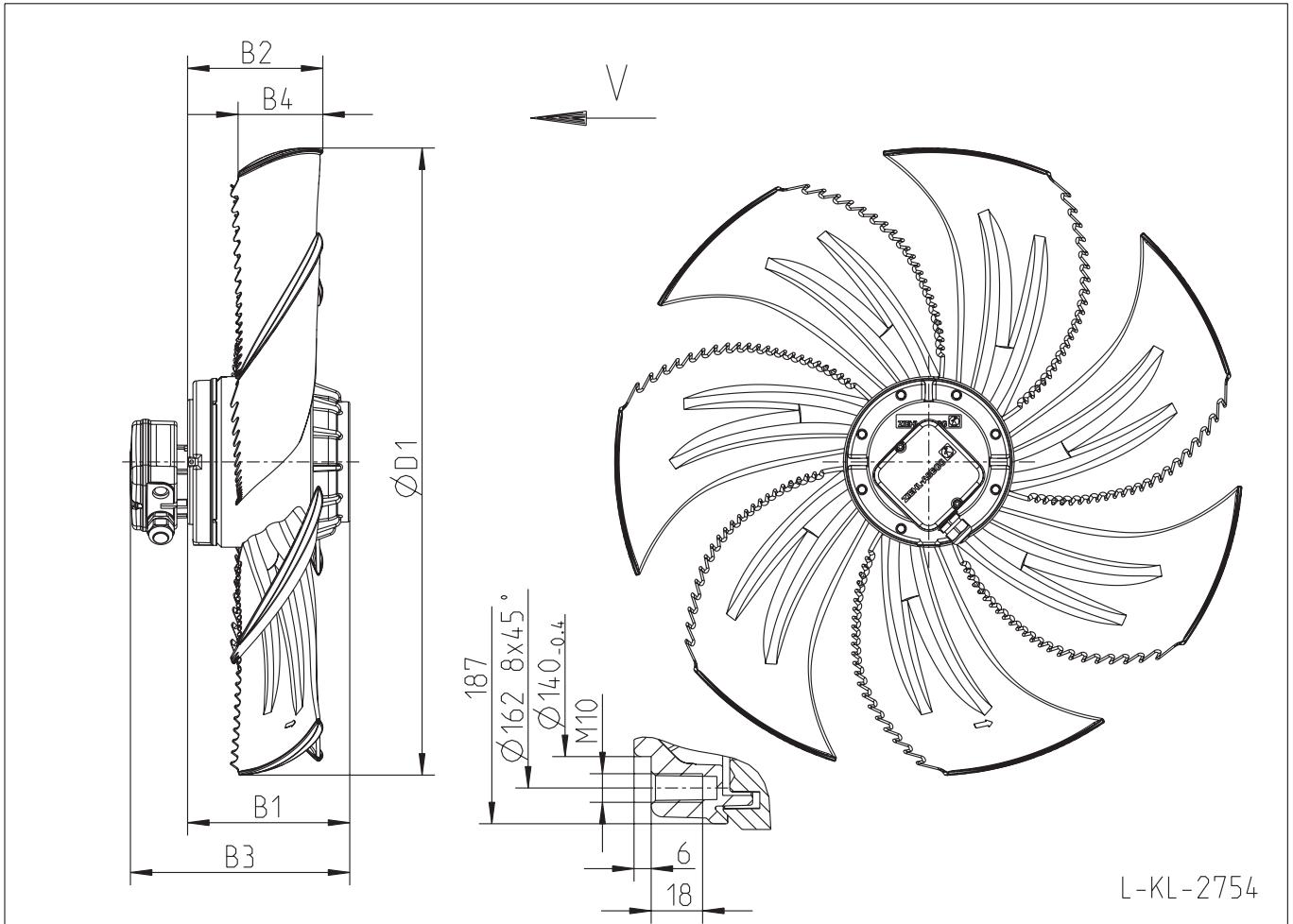
L-KL-2753

| Typ <i>Type</i> | Artikel-Nr. <i>Article no.</i> | B | B2 | B3 | B4 | D1 | D2 | D4 | A | L |
|--------------------------|-----------------------------------|-----|----|-----|----|-----|-----|------|-----|-----|
| FN071-VDQ.6N.A7P2 | 141 761 | 150 | 20 | 272 | 37 | 763 | 720 | 14,5 | 810 | 850 |
| FN071-SDQ.6F.A7P1 | 141 749 | 150 | 20 | 226 | 37 | 763 | 720 | 14,5 | 810 | 850 |
| FN071-SDQ.6K.A7P1 | 141 752 | 150 | 20 | 246 | 37 | 763 | 720 | 14,5 | 810 | 850 |
| FN071-ADQ.6F.A7P1 | 141 755 | 150 | 20 | 226 | 37 | 763 | 720 | 14,5 | 810 | 850 |
| FN071-NDQ.6F.A7P1 | 141 758 | 150 | 20 | 226 | 37 | 763 | 720 | 14,5 | 810 | 850 |

FE2owlet

FN071- DA.6 .V7P_

| | |
|---|-------------------------------|
| Luffförrichtung <i>Airflow direction</i> | V |
| Bauform <i>Design</i> | A |
| Flügelmaterial <i>Material of impeller</i> | Aluminium <i>Aluminium</i> |



**FN
071**

L-KL-2754

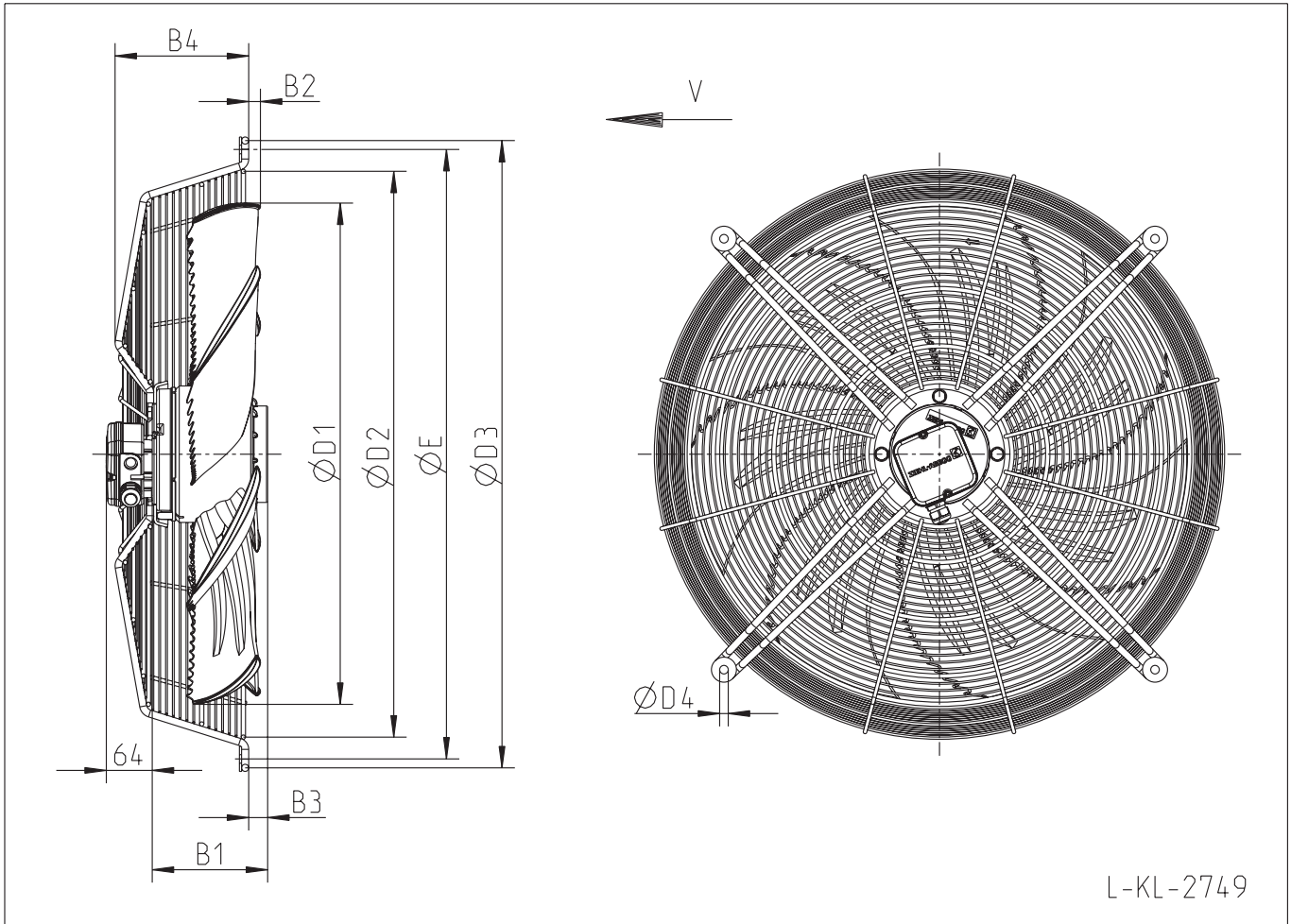
| Typ <i>Type</i> | Artikel-Nr. <i>Article no.</i> | B1 | B2 | B3 | B4 | D1 |
|--------------------------|-----------------------------------|-----|-----|-----|----|-----|
| FN071-VDA.6N.V7P2 | 141 767 | 208 | 124 | 272 | 69 | 703 |
| FN071-SDA.6F.V7P1 | 141 768 | 162 | 151 | 226 | 95 | 703 |
| FN071-SDA.6K.V7P1 | 141 769 | 182 | 151 | 246 | 95 | 703 |
| FN071-ADA.6F.V7P1 | 141 770 | 162 | 151 | 226 | 95 | 703 |
| FN071-NDA.6F.V7P1 | 141 771 | 162 | 151 | 226 | 95 | 703 |

FE2owlet

FN071- _DK.6_.V7P_

| | |
|---|-------------------------------|
| Luffförrichtung <i>Airflow direction</i> | V |
| Bauform <i>Design</i> | K |
| Flügelmaterial <i>Material of impeller</i> | Aluminium <i>Aluminium</i> |

**FN
071**



L-KL-2749

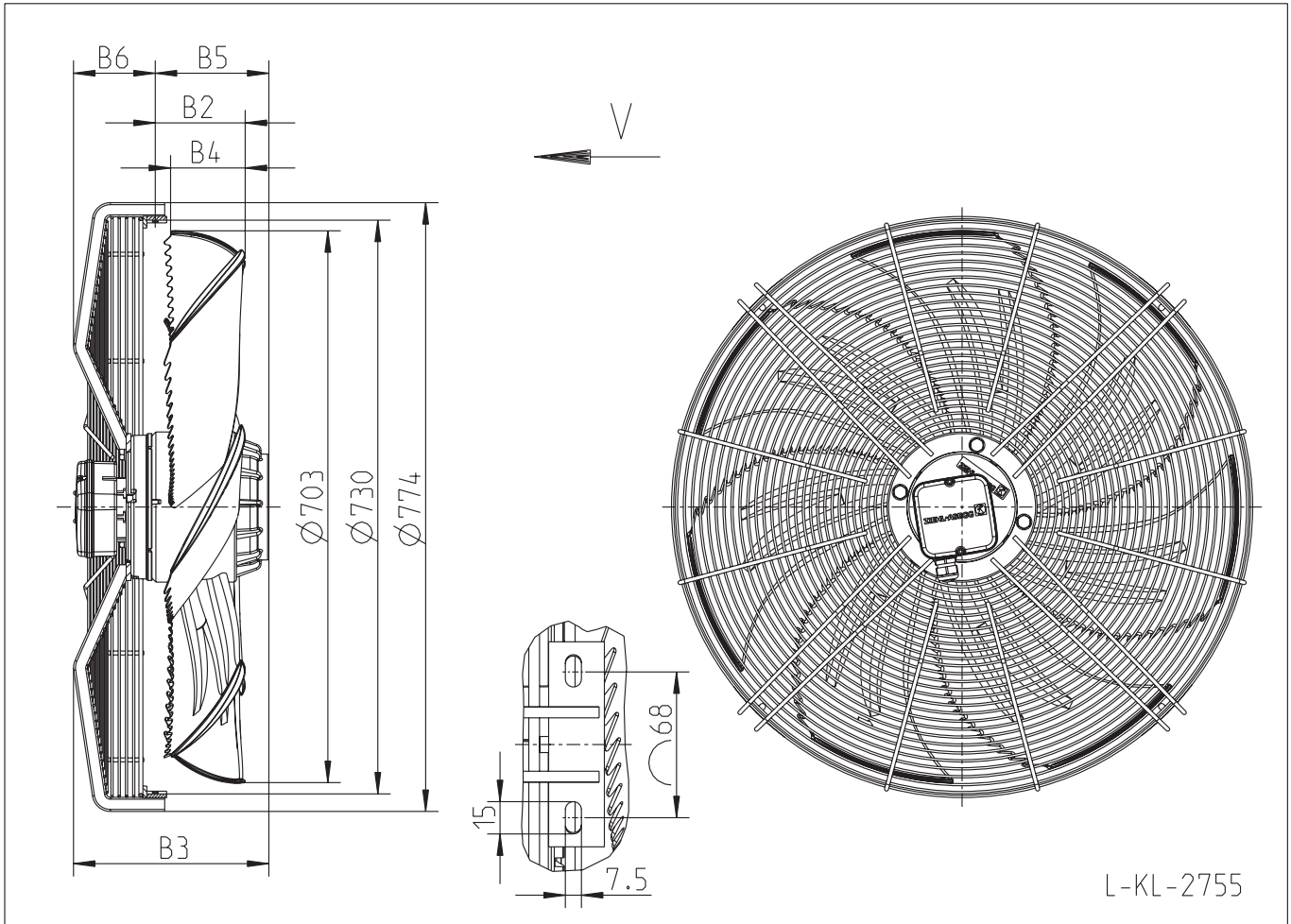
| Typ <i>Type</i> | Artikel-Nr. <i>Article no.</i> | B1 | B2 | B3 | B4 | D1 | D2 | D3 | E |
|---------------------------------|-----------------------------------|-----|----|----|-----|-----|-----|-----|-----|
| FN071-VDK.6N.V7P2 ¹⁾ | 141 772 | 208 | - | - | - | 703 | - | - | 853 |
| FN071-SDK.6F.V7P1 | 141 773 | 162 | 16 | 27 | 187 | 703 | 786 | 888 | 853 |
| FN071-SDK.6K.V7P1 | 141 774 | 182 | 16 | 47 | 187 | 703 | 786 | 888 | 853 |
| FN071-ADK.6F.V7P1 | 141 775 | 162 | 16 | 27 | 187 | 703 | 786 | 888 | 853 |
| FN071-NDK.6F.V7P1 | 141 776 | 162 | 16 | 27 | 187 | 703 | 786 | 888 | 853 |

¹⁾ auf Anfrage / on request

FE2owlet

FN071- DS.6 .V7P_

| | |
|--|-------------------------------|
| Lufffödrerrichtung <i>Airflow direction</i> | V |
| Bauform <i>Design</i> | S |
| Flügelmaterial <i>Material of impeller</i> | Aluminium <i>Aluminium</i> |



**FN
071**

L-KL-2755

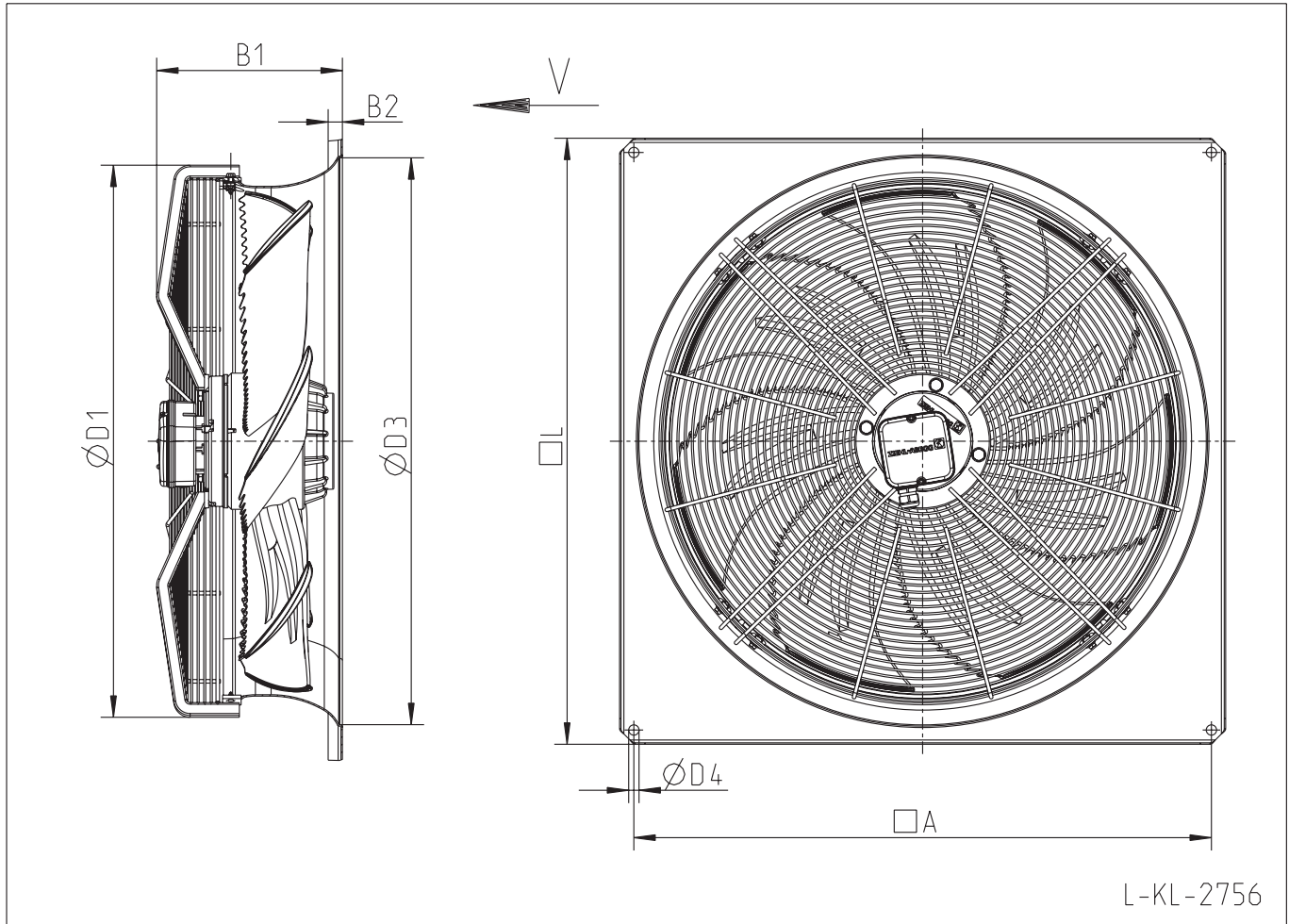
| Typ Type | Artikel-Nr. Article no. | B2 | B3 | B4 | B5 | B6 | D1 | D2 | D3 |
|--------------------------|----------------------------|-----|-----|----|-----|-----|-----|-----|-----|
| FN071-VDS.6N.V7P2 | 141 782 | 88 | 272 | 69 | 171 | 104 | 703 | 730 | 774 |
| FN071-SDS.6F.V7P1 | 141 783 | 114 | 226 | 95 | 125 | 104 | 703 | 730 | 774 |
| FN071-SDS.6K.V7P1 | 141 784 | 114 | 246 | 95 | 145 | 104 | 703 | 730 | 774 |
| FN071-ADS.6F.V7P1 | 141 785 | 114 | 226 | 95 | 125 | 104 | 703 | 730 | 774 |
| FN071-NDS.6F.V7P1 | 141 786 | 114 | 226 | 95 | 125 | 104 | 703 | 730 | 774 |

FE2owlet

FN071- _DQ.6_.V7P_

| | |
|---|-------------------------------|
| Luffförrichtung <i>Airflow direction</i> | V |
| Bauform <i>Design</i> | Q |
| Flügelmaterial <i>Material of impeller</i> | Aluminium <i>Aluminium</i> |

**FN
071**



L-KL-2756

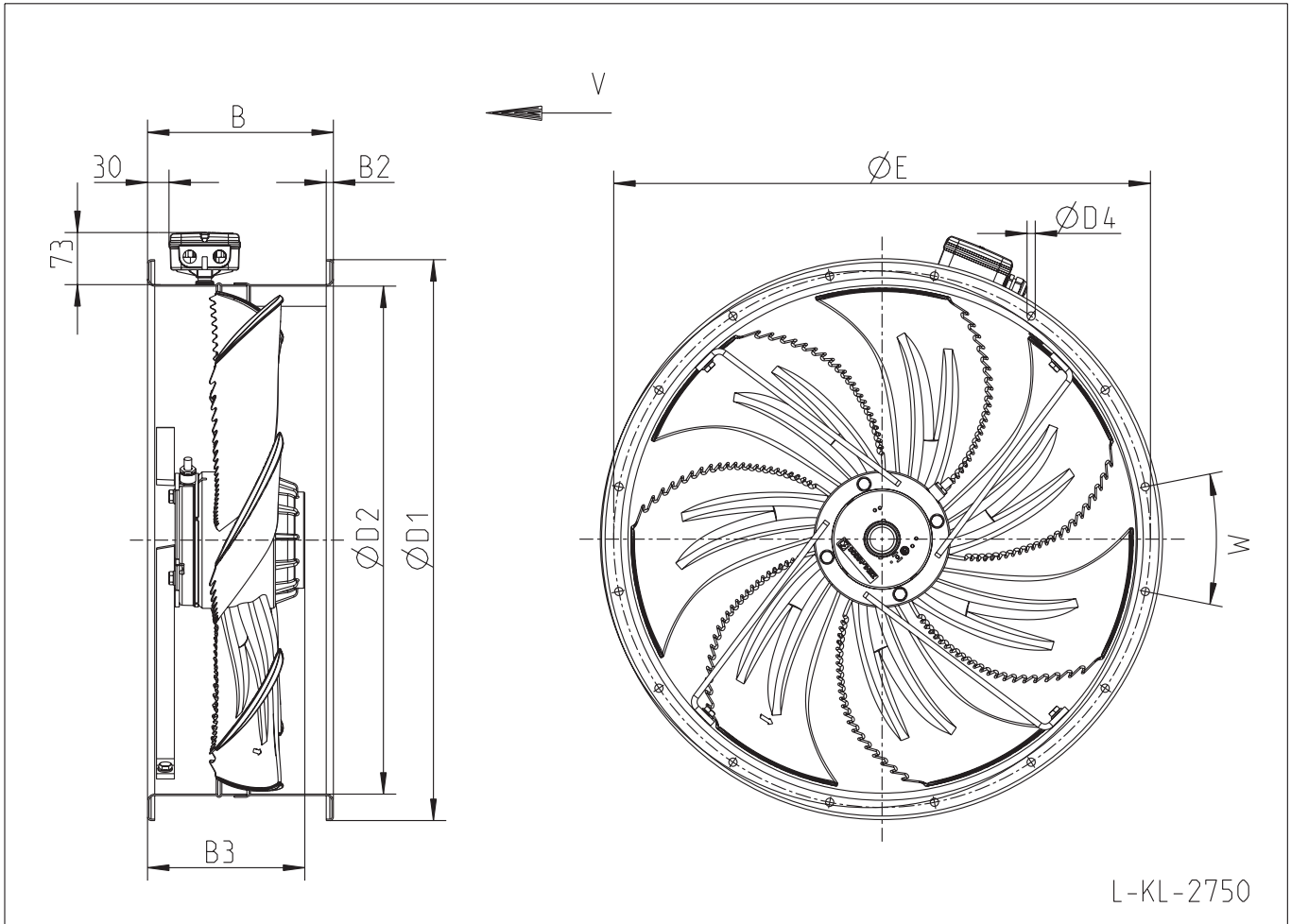
L-KL-2756

| Typ <i>Type</i> | Artikel-Nr. <i>Article no.</i> | A | B2 | B1 | D1 | D3 | D4 | L |
|--------------------------|-----------------------------------|-----|----|-----|-----|-----|------|-----|
| FN071-VDQ.6F.V7P2 | 141 777 | 810 | 20 | 261 | 774 | 795 | 14,5 | 850 |
| FN071-SDQ.6F.V7P1 | 141 778 | 810 | 20 | 261 | 774 | 795 | 14,5 | 850 |
| FN071-SDQ.6K.V7P1 | 141 779 | 810 | 20 | 261 | 774 | 795 | 14,5 | 850 |
| FN071-ADQ.6F.V7P1 | 141 780 | 810 | 20 | 261 | 774 | 795 | 14,5 | 850 |
| FN071-NDQ.6F.V7P1 | 141 781 | 810 | 20 | 261 | 774 | 795 | 14,5 | 850 |

FE2owlet

FN071- DF.6 .V7P

| | |
|---|-------------------------------|
| Luffförrichtung <i>Airflow direction</i> | V |
| Bauform <i>Design</i> | F |
| Flügelmaterial <i>Material of impeller</i> | Aluminium <i>Aluminium</i> |



**FN
071**

L-KL-2750

| Typ <i>Type</i> | Artikel-Nr. <i>Article no.</i> | B | B2 | B3 | D1 | D2 | D4 | E | W |
|--------------------------|-----------------------------------|-----|----|-----|-----|-----|------|-----|---------|
| FN071-VDF.6N.V7P2 | 141 787 | 260 | 10 | 247 | 785 | 711 | 11,5 | 751 | 16x22,5 |
| FN071-SDF.6F.V7P1 | 141 788 | 260 | 10 | 200 | 785 | 711 | 11,5 | 751 | 16x22,5 |
| FN071-SDF.6K.V7P1 | 141 789 | 260 | 10 | 220 | 785 | 711 | 11,5 | 751 | 16x22,5 |
| FN071-ADF.6F.V7P1 | 141 790 | 260 | 10 | 200 | 785 | 711 | 11,5 | 751 | 16x22,5 |
| FN071-NDF.6F.V7P1 | 141 791 | 260 | 10 | 200 | 785 | 711 | 11,5 | 751 | 16x22,5 |

FN
071